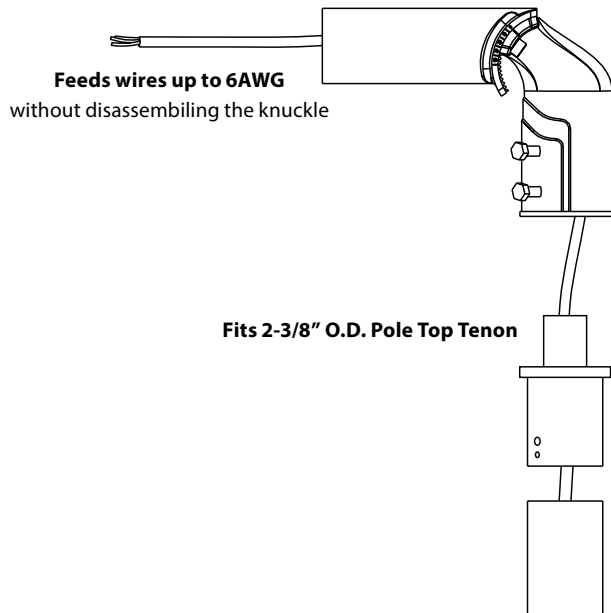
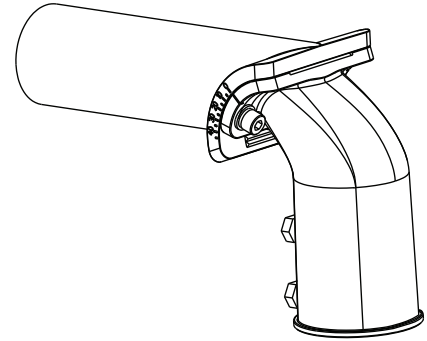
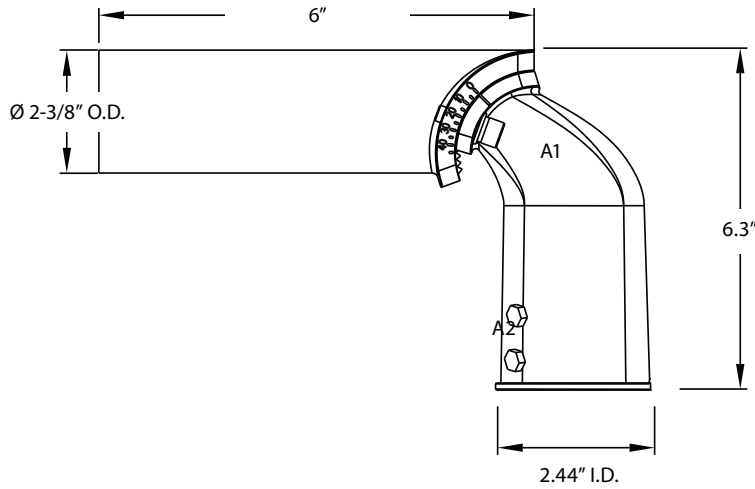


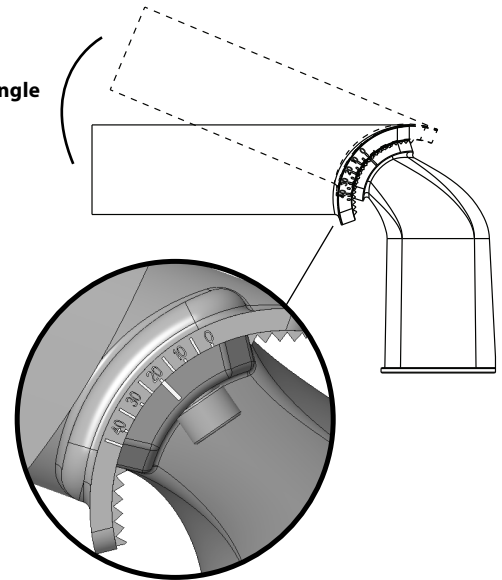
Vertical Pole Mount LED ROADWAY LIGHTING

DIMENSIONS SHEET

Vertical Pole Mount Bracket Dimensions



0° to 45° tilting angle
5° increments



A1 (2 PC) M8 Hex Socket	<i>Tool Needed</i> 6mm Allen Wrench	A2 (4 PC) M8 Hex Bolt	<i>Tool Needed</i> 13mm Wrench
