

TYPE F Mounting Bracket: Fits 5" or 6" OD Round Pole

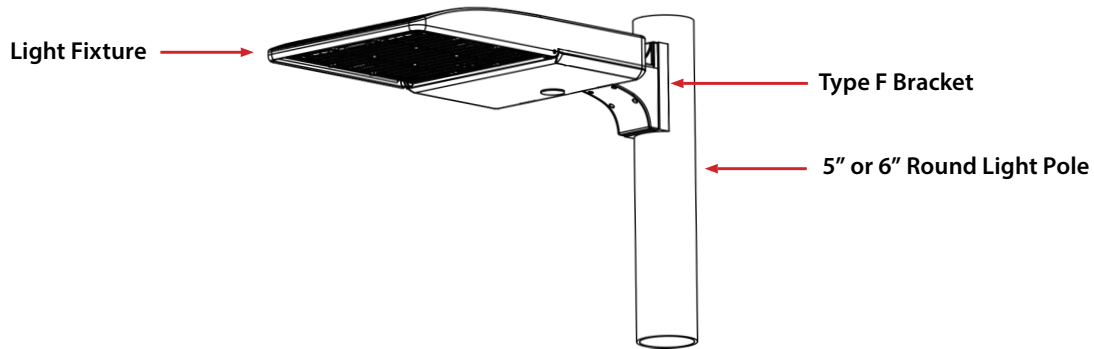
LED AREA LIGHTING

INSTALLATION INSTRUCTION GUIDE

⚠ IMPORTANT SAFEGUARDS ⚠

Read these instructions completely and carefully before proceeding with installation or service maintenance of this product:

- To avoid the possibility of electric shock, turn off power supply before installation/servicing.
- Before closing cover of fixture, make sure all wires are inside fixture housing to avoid pinching wires.
- Fixture must be installed in accordance with NEC or local electrical codes by qualified technician.
- For protection, technician should always wear protective goggles and gloves during the installation and maintenance.
- SolarMax LED is not responsible for any damages caused by parts/components that are not supplied by SolarMax LED.



Included Items in Box

Items included may vary based on your order

Light Fixture



(1 PC) Light Fixture

Mounting Bracket



(1 PC) Type F Bracket



A1
(4 PC) M8*25mm Hex Socket
Included



A2
(2 PC) M8*50mm Hex Socket
(2 PC) Springs, Washers, and Nuts
Included



A3
(4 PC) M4*8mm Philips-head Screw
Installed on Bracket



TYPE F Mounting Bracket: Fits 5" or 6" OD Round Pole

LED AREA LIGHTING

INSTALLATION INSTRUCTION GUIDE

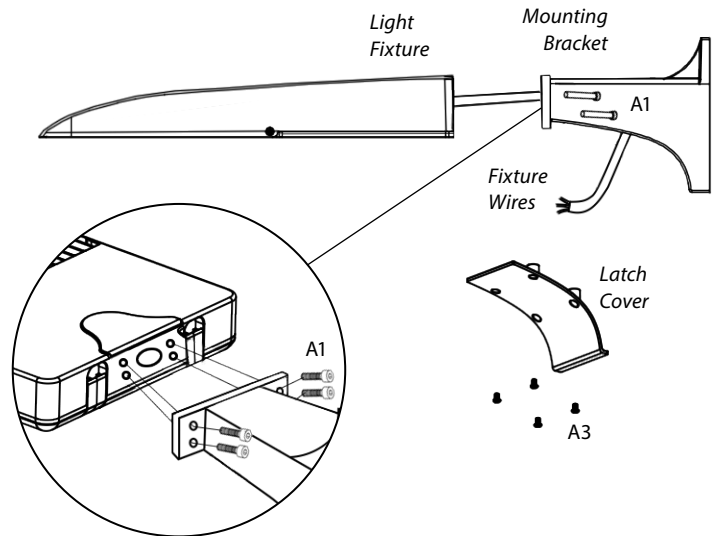
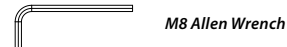
1

STEP 1

Loosen the A3 screws to remove the latch cover on the mounting bracket. Pull the wires through the mounting bracket. Attach the mounting bracket to the light fixture using the A1 bolts, tighten torque of 8.3 Nm (6.2 ft-lbs).



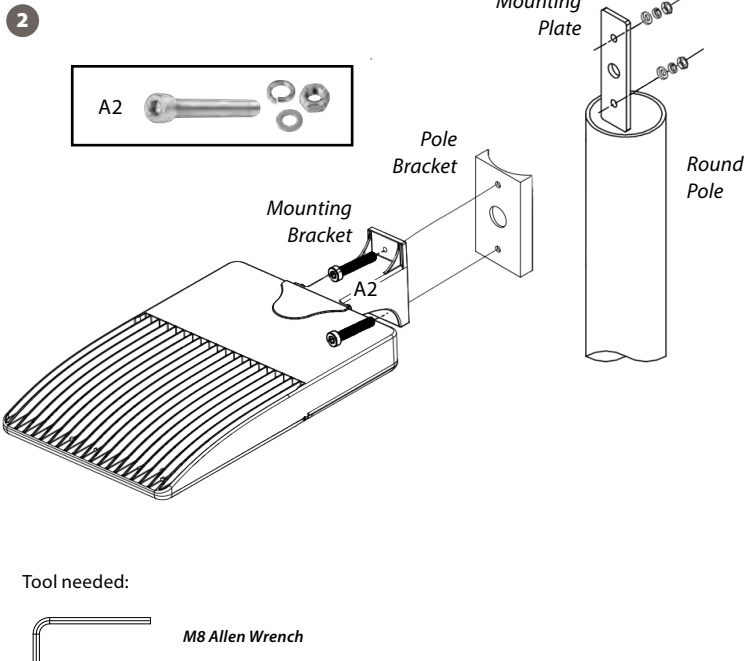
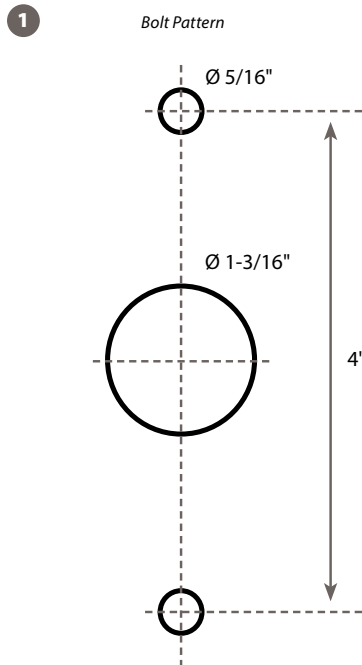
Tools needed:



2

STEP 2

If there are no existing holes or holes do not match, drill holes according to the bolt pattern. Attach mounting bracket and the pole bracket to install onto the round pole with A2 bolts. Torque bolts at 8.3 Nm (6.2 ft-lbs).



TYPE F Mounting Bracket: Fits 5" or 6" OD Round Pole

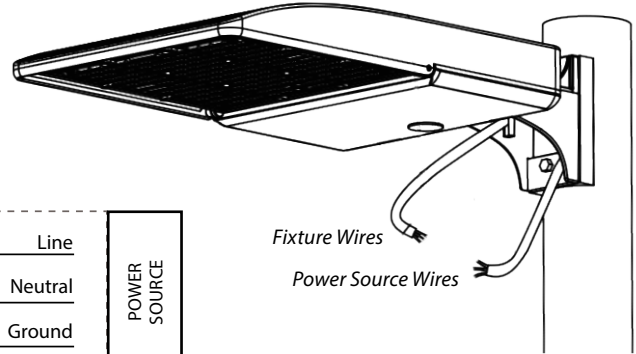
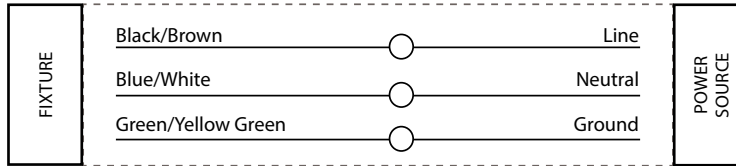
LED AREA LIGHTING

INSTALLATION INSTRUCTION GUIDE

3

STEP 3

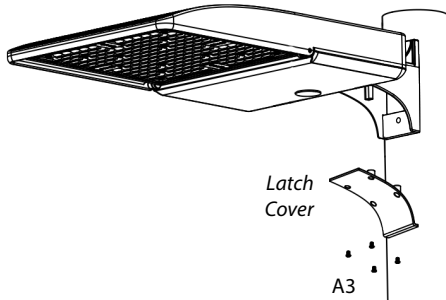
▲ To avoid possibility of electric shock, turn off power before installation. Connect the luminaire wires with the power source wires.



4

STEP 4

Use the A3 screws to reattach the latch cover. Torque at 0.8 Nm (0.6 ft-lbs).



Tool needed:

