

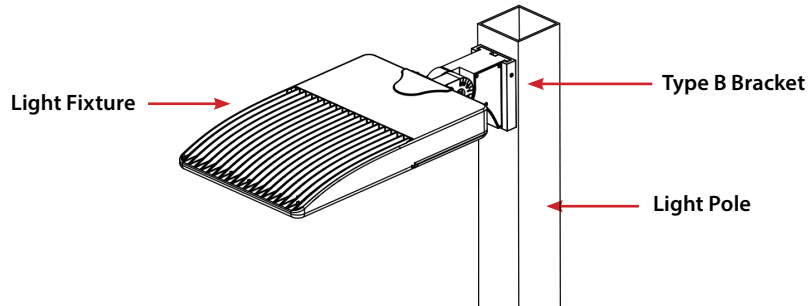
TYPE B Mounting Bracket LED AREA LIGHTING

INSTALLATION INSTRUCTION GUIDE

⚠ IMPORTANT SAFEGUARDS ⚠

Read these instructions completely and carefully before proceeding with installation or service maintenance of this product:

- To avoid the possibility of electric shock, turn off power supply before installation/servicing.
- Before closing cover of fixture, make sure all wires are inside fixture housing to avoid pinching wires.
- Fixture must be installed in accordance with NEC or local electrical codes by qualified technician.
- For protection, technician should always wear protective goggles and gloves during the installation and maintenance.
- SolarMax LED is not responsible for any damages caused by parts/components that are not supplied by SolarMax LED.



Included Items in Box

Items included may vary based on your order



(1 PC) Fixture



(1 PC) Type B Bracket



A1

(4 PC) M8*25mm Hex Sockets

Included



A2

(3 PC) M3*10mm Philips-head Screws

Included on Bracket



A3

(2 PC) M8*35mm Hex Sockets

Included



A4

(2 PC) Philips-head Screws

Included on Bracket



A5

(1 PC) M16*50mm Hex Sockets

Included on Bracket

1

STEP 1

Skip step if bracket is installed. Remove the latch cover. Pull the wires through the luminaire bracket. Attach the luminaire bracket to the light fixture. Secure by tightening the four (4) A1 bolts, torque of 8.3 Nm (6.2 ft-lbs).

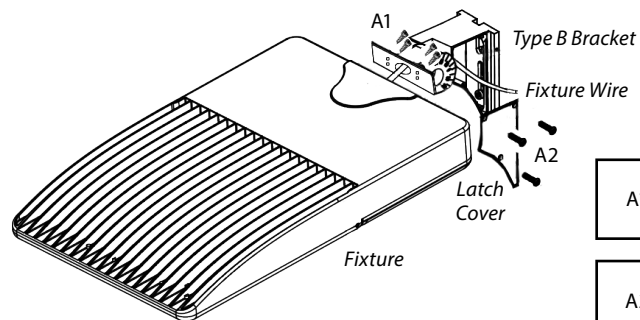
Tools needed:



Allen Wrench



Philips-head Screwdriver



A1

A2

TYPE B Mounting Bracket LED AREA LIGHTING

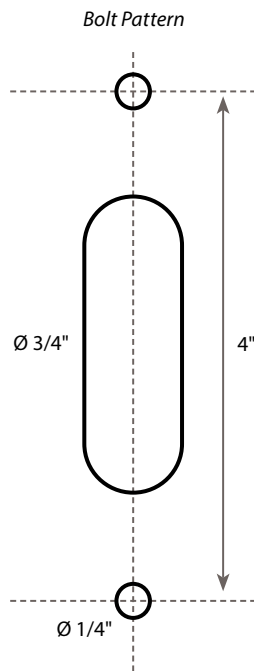
INSTALLATION INSTRUCTION GUIDE

2

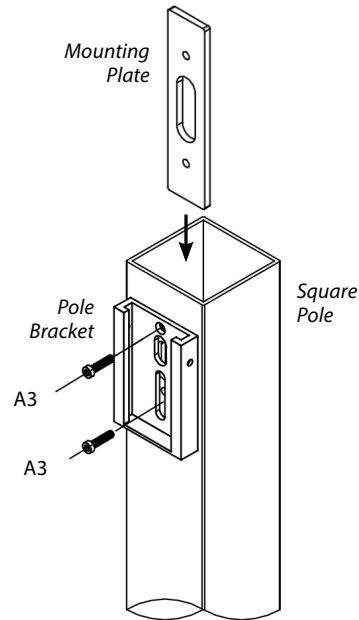
STEP 2

If there are no existing holes or holes do not match on the pole, drill holes according to the bolt pattern. Attach mounting plate and the pole bracket onto the square pole with the two (2) A3 bolts to secure. Torque bolts at 8.3 Nm (6.2 ft-lbs).

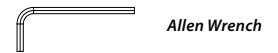
1



2



Tool needed:

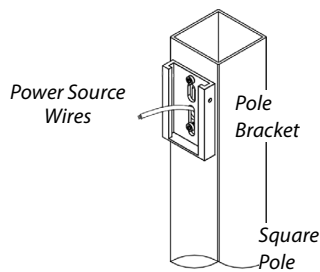


3

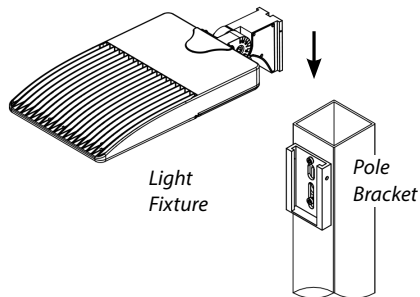
STEP 3

Pull wires through pole bracket. Slide the luminaire bracket onto the pole bracket and secure with the two (2) A4 screws, torque 0.8 Nm (0.6 ft-lbs).

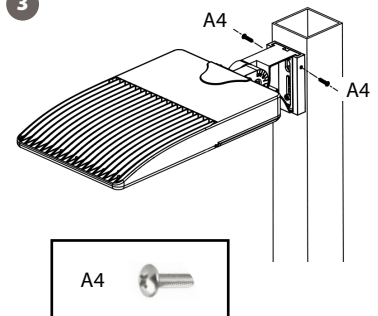
1



2



3



Tool needed:



TYPE B Mounting Bracket LED AREA LIGHTING

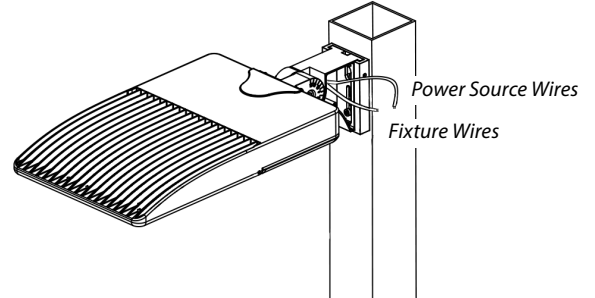
INSTALLATION INSTRUCTION GUIDE

4

STEP 4

▲ To avoid possibility of electric shock, turn off power before installation.
Connect the luminaire wires with the power source wires.

FIXTURE		POWER SOURCE
	Black/Brown	Line
	Blue/White	Neutral
	Green/Yellow Green	Ground
	(Optional) Blue/Purple	DIM+
	(Optional) White/Gray	DIM-

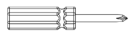


5

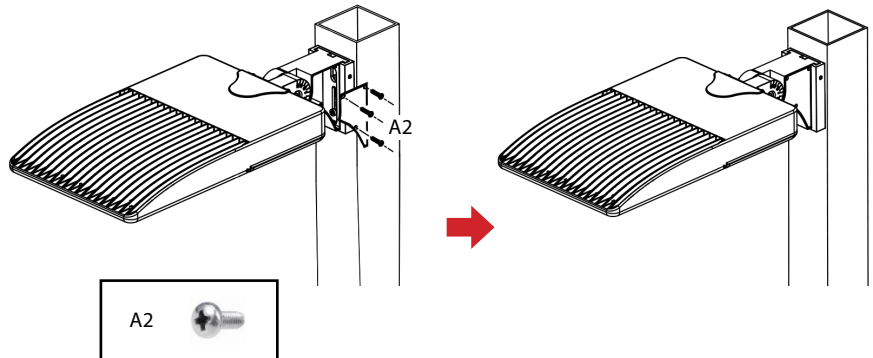
STEP 5

Reattach the latch cover using the three (3)
A2 screws with torque 0.4 Nm (0.3 ft-lbs).

Tool needed:



Philips-head Screwdriver



6

OPTIONAL STEP 6

Loosen A5 bolt to tilt the light fixture to the desired
angle (refer to photometric design if available). Secure
with one (1) A5 bolt, torque 8.3 Nm (6.2 ft-lbs).

Tool needed:



Allen Wrench

