

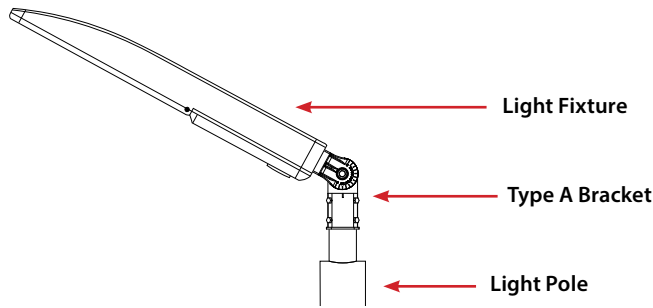
# TYPE A Slipfitter Bracket LED AREA LIGHTING

## INSTALLATION INSTRUCTION GUIDE

### ⚠ IMPORTANT SAFEGUARDS ⚠

Read these instructions completely and carefully before proceeding with installation or service maintenance of this product:

- To avoid the possibility of electric shock, turn off power supply before installation/servicing.
- Before closing cover of fixture, make sure all wires are inside fixture housing to avoid pinching wires.
- Fixture must be installed in accordance with NEC or local electrical codes by qualified technician.
- For protection, technician should always wear protective goggles and gloves during the installation and maintenance.
- SolarMax LED is not responsible for any damages caused by parts/components that are not supplied by SolarMax LED.



### Included Items in Box

Items included may vary based on your order



(1 PC) Fixture



(1 PC) Type A Bracket



A1

(4 PC) M8\*25mm Hex Bolts

Included on Bracket



A2

(4 PC) M8\*25mm Hex Socket

Included



A3

(1 PC) M16\*50mm Hex Socket

Included on Bracket

1

## STEP 1

Use the four (4) A2 screws to install the Type A bracket onto the light fixture, torque 8.3 Nm (6.2 ft-lbs).

A2



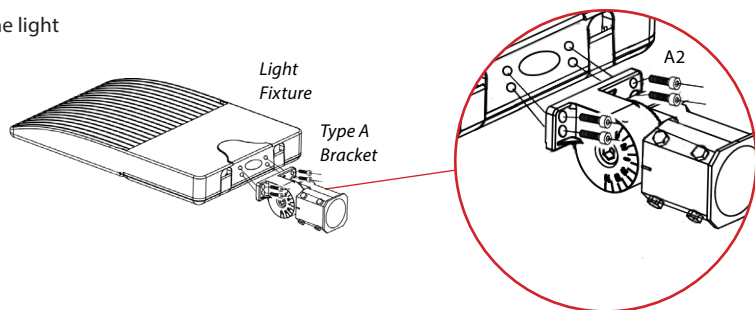
Tools needed:



Wrench



Allen Wrench



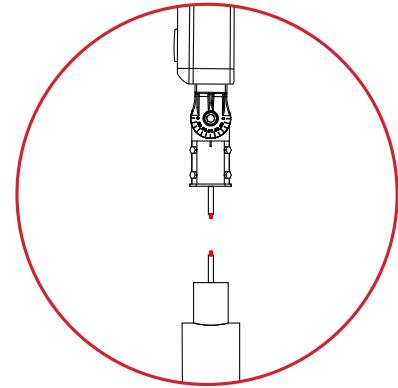
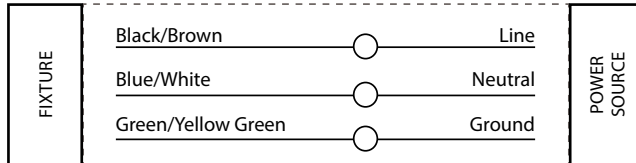
# TYPE A Slipfitter Bracket LED AREA LIGHTING

## INSTALLATION INSTRUCTION GUIDE

2

### STEP 2

▲ To avoid possibility of electric shock, turn off power before installation. Pull the wires through from the pole to the light fixture. Connect luminaire wires with the power source.



3

### STEP 3

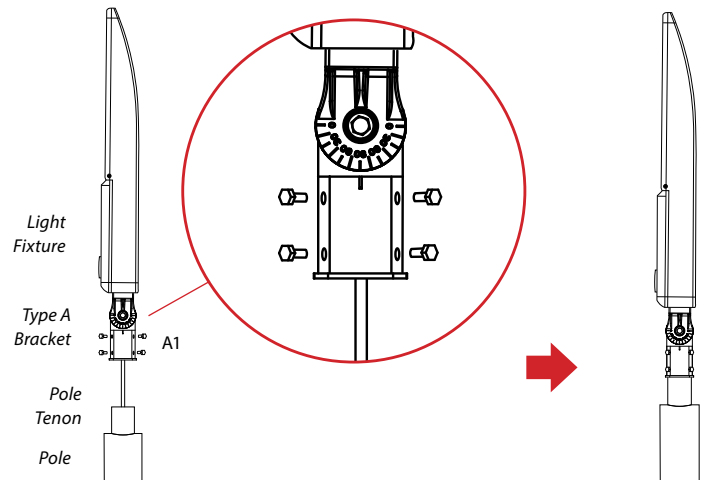
Mount the bracket onto the pole tenon. Secure with the four (4) A1 bolts, torque at 8.3 Nm (6.2 ft-lbs).



Tool needed:



Wrench

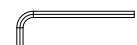


4

### STEP 4

Tilt the light fixture to the desired angle (refer to photometric design if available). Secure with one (1) A3 bolt, torque 71 Nm (53 ft-lbs).

Tool needed:



Allen Wrench

