

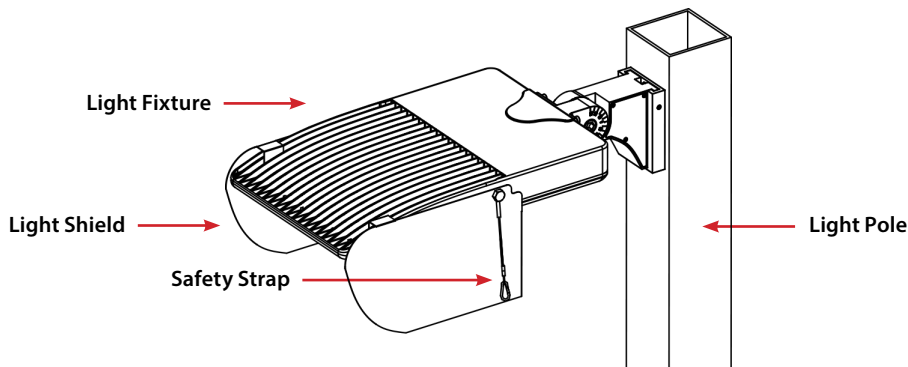
Light Shield LED AREA LIGHTING

INSTALLATION INSTRUCTION GUIDE

⚠ IMPORTANT SAFEGUARDS ⚠

Read these instructions completely and carefully before proceeding with installation or service maintenance of this product:

- To avoid the possibility of electric shock, turn off power supply before installation/servicing.
- Before closing cover of fixture, make sure all wires are inside fixture housing to avoid pinching wires.
- Fixture must be installed in accordance with NEC or local electrical codes by qualified technician.
- For protection, technician should always wear protective goggles and gloves during the installation and maintenance.
- SolarMax LED is not responsible for any damages caused by parts/components that are not supplied by SolarMax LED.



Included Items in Box

Items included may vary based on your order



(1 PC) House Side Shield
Included



A1
(2 PC) M8*20mm Hex Bolts
(2 PC) Springs and Washers
Included

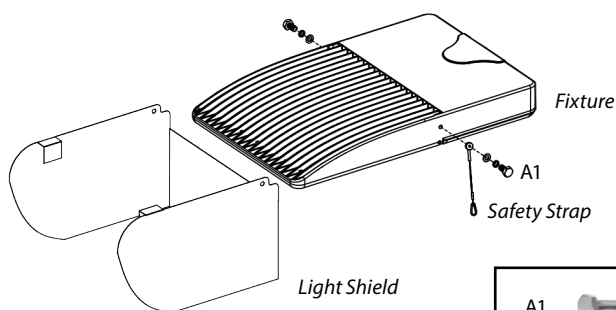


(1 PC) Safety Strap
Optional

1

STEP 1A

To install the light shield, align the openings on each side of the light shield with the holes on either side of the fixture. Install the safety strap if needed. Secure with two (2) A1 bolts.



Tool needed:



Wrench

OPTIONAL STEP 1B

Install the safety strap on the existing pole tenon/bracket.

