

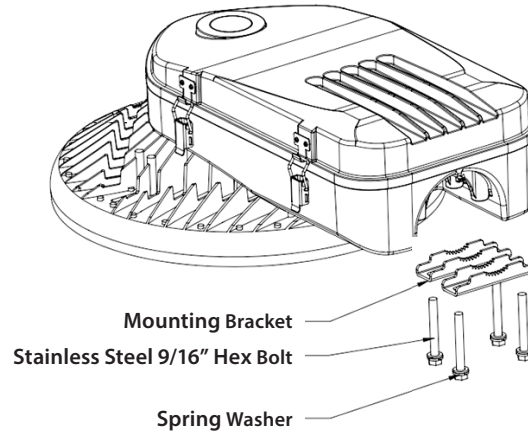
INM Series LED HIGH MAST LIGHTING

INSTALLATION INSTRUCTION GUIDE

⚠ IMPORTANT SAFEGUARDS ⚠

Read these instructions completely and carefully before proceeding with installation or service maintenance of this product:

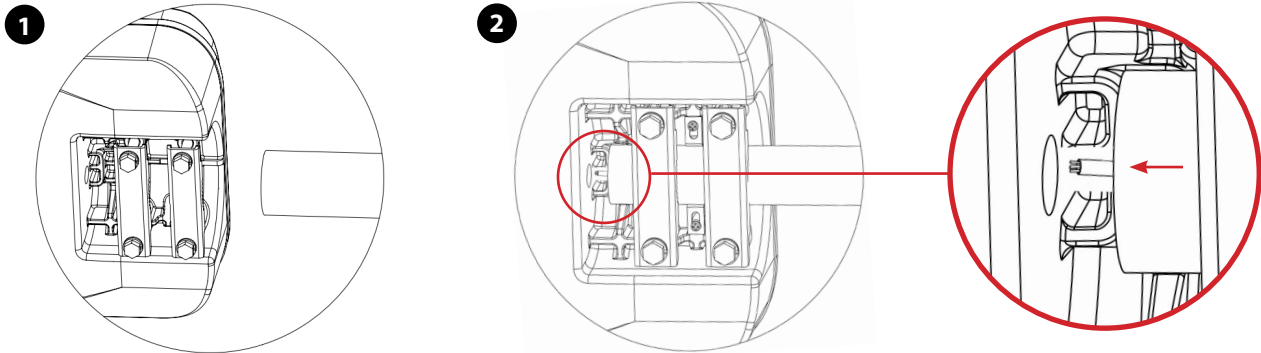
- To avoid the possibility of electric shock, turn off power before installation/servicing.
- Before closing cover of fixture, make sure all wires are inside fixture housing to avoid pinching wires.
- Fixture must be installed in accordance with NEC or local electrical codes by qualified technician.
- For protection, technician should always wear protective goggles and gloves during the installation and maintenance.
- SolarMax LED is not responsible for any damages caused by parts/components that are not supplied by SolarMax LED.



1

STEP 1

Slide the fixture onto the tenon. Pull electrical wires through tenon and insert into the housing hole, as indicated below.



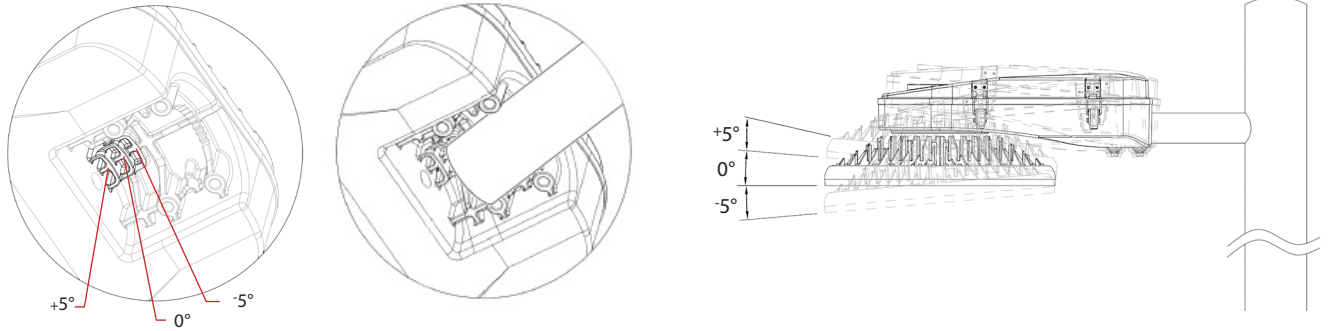
INM Series LED HIGH MAST LIGHTING

INSTALLATION INSTRUCTION GUIDE

2

STEP 2

Place the luminaire on the selected vertical tilting steps (-5°, 0°, +5°) to level the luminaire. Use the embedded bubble leveling as an adjustment reference.



3

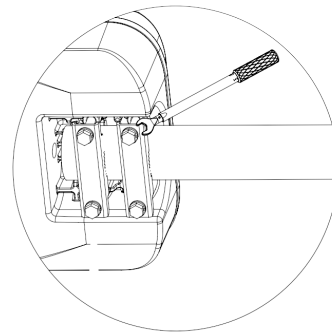
STEP 3

Tighten the four (4) mounting bolts (9/16" hex bolt) with torque value at 90-100 in-lbs (@ 2-3/8" OD tenon).

Tool needed:



Wrench for 9/16" Hex Bolt

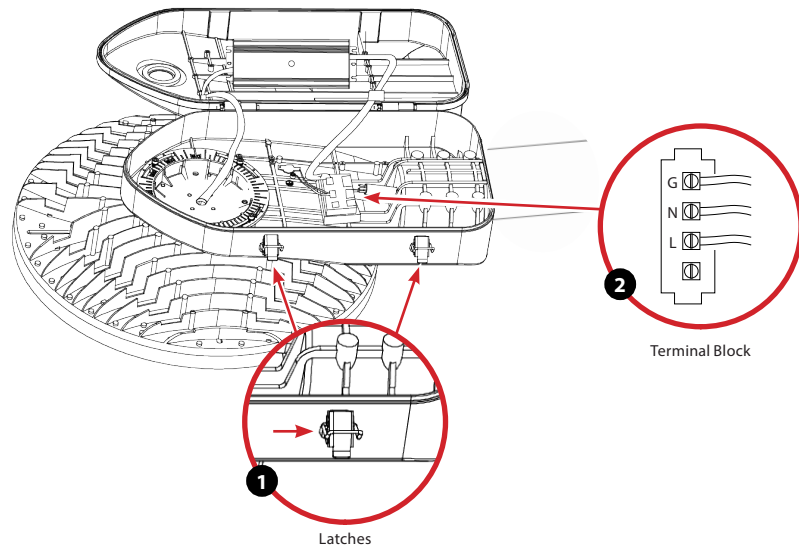


4

STEP 4

Press safety release lock and lift latch to unlock and open the enclosure.

Connect the electrical wires to terminal block, as shown on the right.



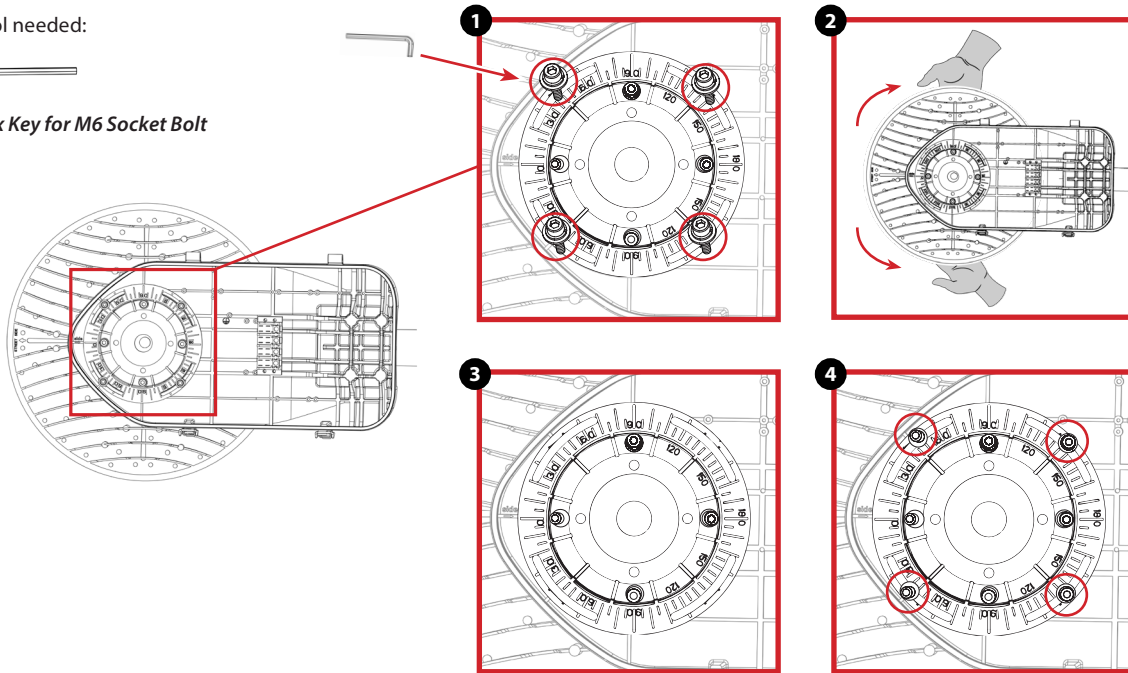
INM Series LED HIGH MAST LIGHTING

INSTALLATION INSTRUCTION GUIDE

OPTIONAL: ORIENT LIGHT FIXTURE

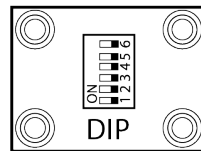
To adjust orientation for asymmetrical optic (T2, T3), open enclosure and remove (4) four bolts with a M6 allen key. Rotate the optical engine (street side aiming arrow) to the designed orientation with reference to angle markings. Do not over stretch wires. Then tighten 4 bolts to secure the new orientation. For symmetrical optic (T5), orientation adjustment is not necessary.

Tool needed:



OPTIONAL: FIELD ADJUSTMENT

If the fixture has field adjustment (FA), adjust the dip switch positions to the desired wattage according to internal FA label.



FA Label Example (doesn't represent received unit):

DIP Resistor Setting						Watts
1	2	3	4	5	6	Typical Value
OFF	OFF	OFF	OFF	OFF	OFF	XX
ON	OFF	OFF	OFF	OFF	OFF	XX
OFF	ON	OFF	OFF	OFF	OFF	XX
OFF	OFF	ON	OFF	OFF	OFF	XX
OFF	OFF	OFF	ON	OFF	OFF	XX

OPTIONAL: LUMINAIRE WITH 7-PIN RECEPTACLE

Rotate receptacle if required.

Tooled 7-pin receptacle (standard): loosen 2 screws, rotate the center housing with a flat screwdriver, and tighten screws after aiming.

Toolless 7-pin receptacle (optional): rotate the receptacle to the proper aiming.

