

iE Series LED ROADWAY LIGHTING

INSTALLATION INSTRUCTION GUIDE

⚠ IMPORTANT SAFEGUARDS ⚠

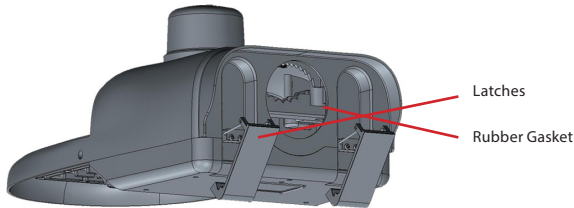
Read these instructions completely and carefully before proceeding with installation or service maintenance of this product:

- To avoid the possibility of electric shock, turn off power supply before installation/servicing.
- Before closing cover of fixture, make sure all wires are inside fixture housing to avoid pinching wires.
- Fixture must be installed in accordance with NEC or local electrical codes by qualified technician.
- For protection, technician should always wear protective goggles and gloves during the installation and maintenance.
- SolarMax LED is not responsible for any damages caused by parts/components that are not supplied by SolarMax LED.

1

STEP 1

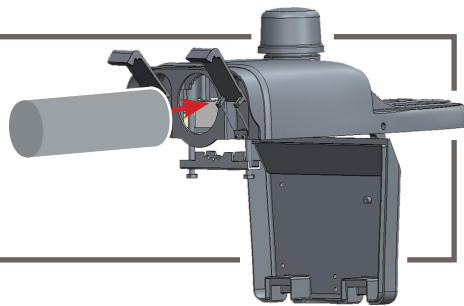
Pull latches to open the access panel; keep the rubber gasket on the luminaire to stop dust, water and bird(s) from entering the fixture.



2

STEP 2

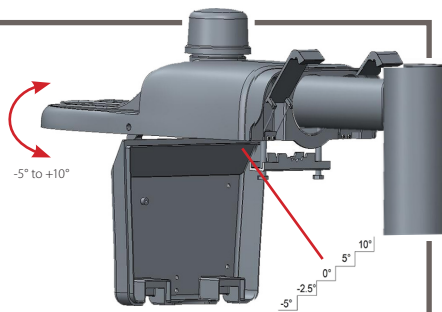
Slide the fixture onto the tenon (1-5/8" to 2-3/8" O.D.).



3

STEP 3

Place the luminaire on the selected tilting steps (-5° to +10°). Use the luminaire bubble level as an adjustment reference.

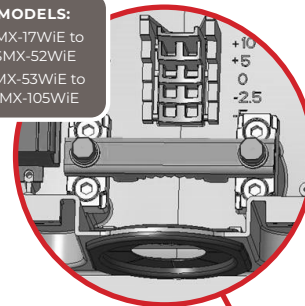


4

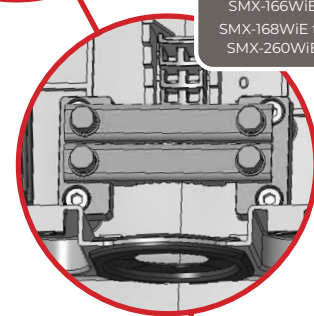
STEP 4

Tighten 2 or 4 mounting bolts with torque value at 9 to 11 Nm/ 6 to 8 ft-lb (@2-3/8" O.D. tenon).

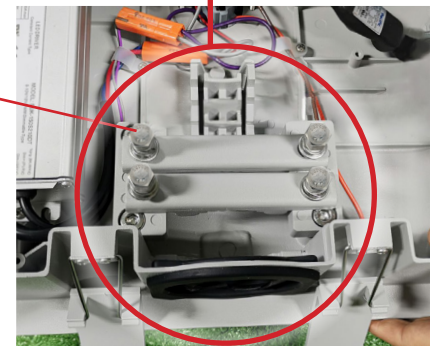
MODELS:
SMX-17WIE to
SMX-52WIE
SMX-53WIE to
SMX-105WIE



MODELS:
SMX-107WIE to
SMX-166WIE
SMX-168WIE to
SMX-260WIE



9/16" Hex Bolt
Stainless Steel



iE Series LED ROADWAY LIGHTING

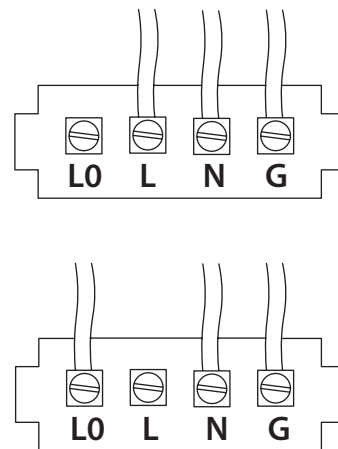
INSTALLATION INSTRUCTION GUIDE

5

STEP 5

Based on the luminaire model and input voltage, connect wires to terminal block (#6-14 AWG) per table below.

Luminaire Model	Input Voltage	Terminal Block			
		L0	L	N	G
NV Luminaire Model: SMX-xx-NV-xxxx	120-277V		Line Wire	Neutral Wire	Ground Wire
HV Luminaire Model: SMX-xx-HV-xxxx	347-480V		Line Wire	Neutral Wire	Ground Wire
XV Luminaire Model: SMX-xx-XV-xxxx	If input voltage is 120-277V		Line Wire	Neutral Wire	Ground Wire
	If input voltage is 347-480V	Line Wire		Neutral Wire	Ground Wire



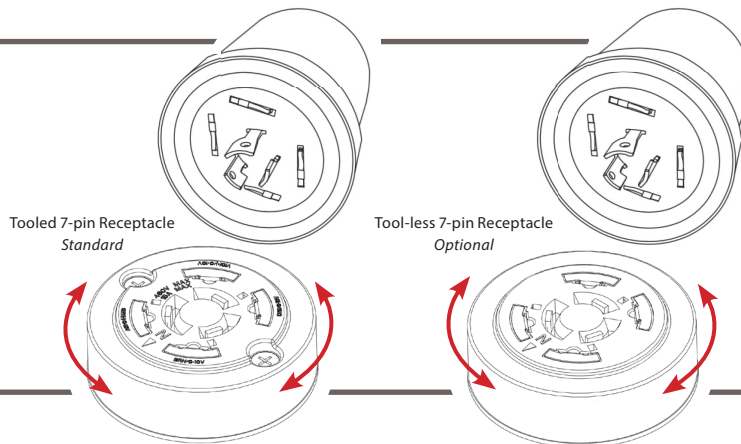
OPTIONAL STEPS

RECEPTACLE ROTATION

Rotate receptacle if required.

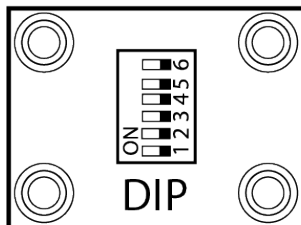
Tooled 7-pin receptacle (standard): loosen 2 screws, rotate the center housing with a flat screwdriver, and tighten screws after aiming.

Toolless 7-pin receptacle (optional): rotate the receptacle to the proper aiming.



FIELD ADJUSTMENT

If fixture has Field Adjustment (FA), adjust the dip switch positions to the desired wattage according to internal FA label.



Example (not representing actual received unit):

DIP Resistor Setting						Watts
1	2	3	4	5	6	Typical Value
OFF	OFF	OFF	OFF	OFF	OFF	XX Watts
ON	OFF	OFF	OFF	OFF	OFF	XX Watts
OFF	ON	OFF	OFF	OFF	OFF	XX Watts
OFF	OFF	ON	OFF	OFF	OFF	XX Watts
OFF	OFF	OFF	ON	OFF	OFF	XX Watts
OFF	OFF	OFF	OFF	ON	OFF	XX Watts