

ID Series LED CANOPY LIGHTING

INSTALLATION INSTRUCTION GUIDE

⚠ IMPORTANT SAFEGUARDS ⚠

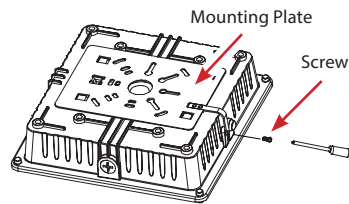
Read these instructions completely and carefully before proceeding with installation or service maintenance of this product:

- To avoid the possibility of electric shock, turn off power supply before installation/servicing.
- Before closing cover of fixture, make sure all wires are inside fixture housing to avoid pinching wires.
- Fixture must be installed in accordance with NEC or local electrical codes by qualified technician.
- For protection, technician should always wear protective goggles and gloves during the installation and maintenance.
- SolarMax LED is not responsible for any damages caused by parts/components that are not supplied by SolarMax LED.

1

STEP 1

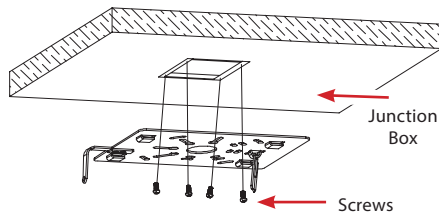
Unfasten screw to remove the mounting plate from the fixture.



2

STEP 2

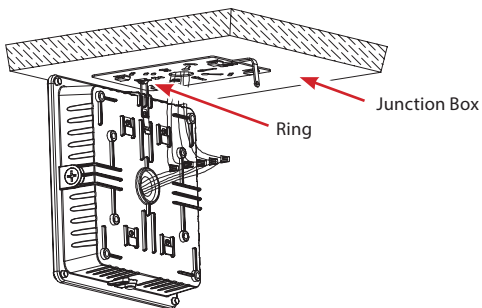
Mount the mounting plate to J box with screws.



3

STEP 3

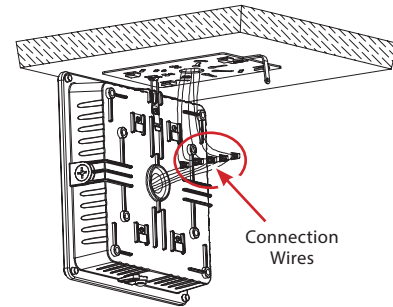
Secure the fixture onto the mounting plate by first hooking the fixture onto the ring.



4

STEP 4

Wire fixture (according to diagram).

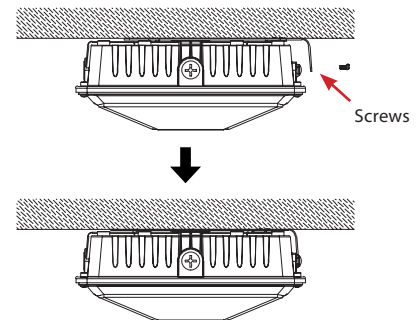


Black/Brown	○	Line
Blue/White	○	Neutral
Green/Yellow Green	○	Ground
(Optional) Blue/Purple	○	DIM+
(Optional) White/Gray	○	DIM-

5

STEP 5

Lift fixture and fasten with mounting plate screw.



ID Series LED CANOPY LIGHTING

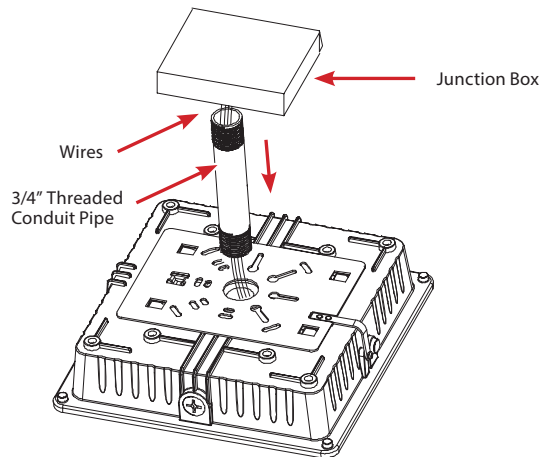
INSTALLATION INSTRUCTION GUIDE

Installation Method 2: Pole-pendant Installation

1

STEP 1

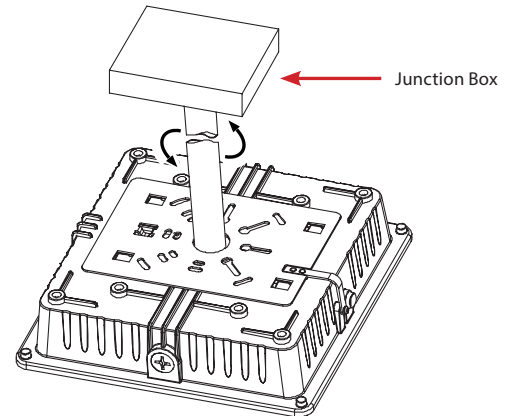
Bring wires from junction box through a 3/4" threaded conduit pipe (not included) into luminaire.



3

STEP 3

Screw threaded conduit pipe into luminaire and then into the junction box.



2

STEP 2

Connect luminaire wires with power leads from the junction box.

Black/Brown	○	Line
Blue/White	○	Neutral
Green/Yellow Green	○	Ground
(Optional) Blue/Purple	○	DIM+
(Optional) White/Gray	○	DIM-

