

TYPE D Mounting Bracket: Fits 4"-6" Square Pole & 4" OD Round Pole

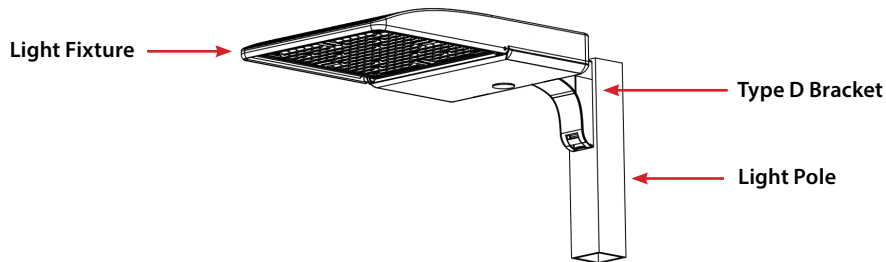
LED AREA LIGHTING

INSTALLATION INSTRUCTION GUIDE

⚠ IMPORTANT SAFEGUARDS ⚠

Read these instructions completely and carefully before proceeding with installation or service maintenance of this product:

- To avoid the possibility of electric shock, turn off power supply before installation/servicing.
- Before closing cover of fixture, make sure all wires are inside fixture housing to avoid pinching wires.
- Fixture must be installed in accordance with NEC or local electrical codes by qualified technician.
- For protection, technician should always wear protective goggles and gloves during the installation and maintenance.
- SolarMax LED is not responsible for any damages caused by parts/components that are not supplied by SolarMax LED.



Included Items in Box

Items included may vary based on your order

Light Fixture



(1 PC) Light Fixture

Mounting Bracket



(1 PC) Type D Bracket



A1
(4 PC) M8*20mm Hex Socket
Included



A2
(2 PC) M8*50mm Hex Socket
(2 PC) Springs, Washers, and Nuts
Included



A3
(1 PC) M4*16mm Hex Socket
Installed on Bracket



TYPE D Mounting Bracket: Fits 4"-6" Square Pole & 4" OD Round Pole

LED AREA LIGHTING

INSTALLATION INSTRUCTION GUIDE

1

STEP 1

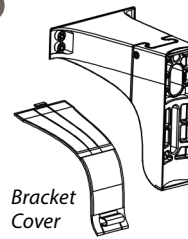
Remove the bracket cover. Loosen the one (1) A3 bolt on the bracket to take apart the mounting bracket as shown.

Tool needed:



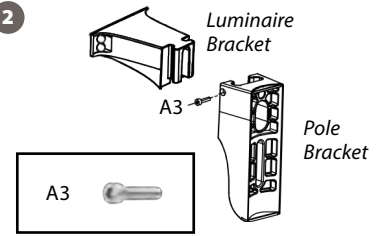
M5 Allen Wrench

1



Bracket Cover

2



Luminaire Bracket

A3

Pole Bracket

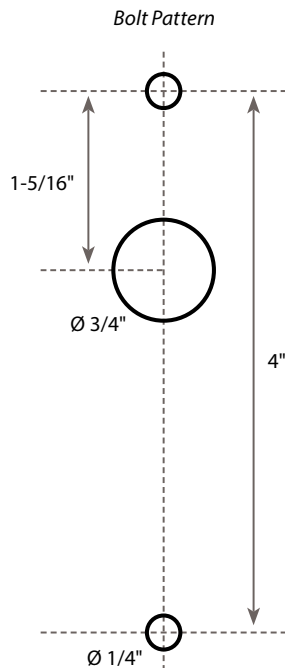
A3

2A

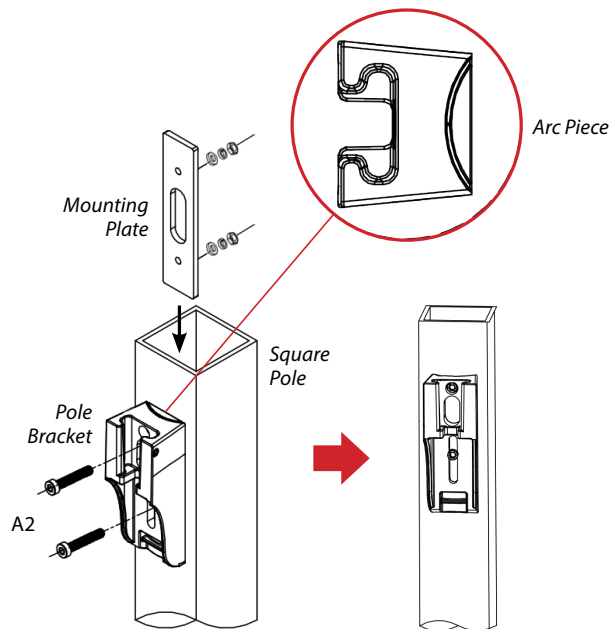
STEP 2: OPTION 1 - Mount to 4"-6" Square Pole

If there are no existing holes or holes do not match, drill holes according to the bolt pattern. Attach mounting plate and the pole bracket onto the square pole with the two (2) A2 bolts to secure. Torque bolts at 8.3 Nm (6.2 ft-lbs).

1



2



Arc Piece

Mounting Plate

Square Pole

Pole Bracket

A2

Tool needed:



M8 Allen Wrench

A2



TYPE D Mounting Bracket: Fits 4"-6" Square Pole & 4" OD Round Pole

LED AREA LIGHTING

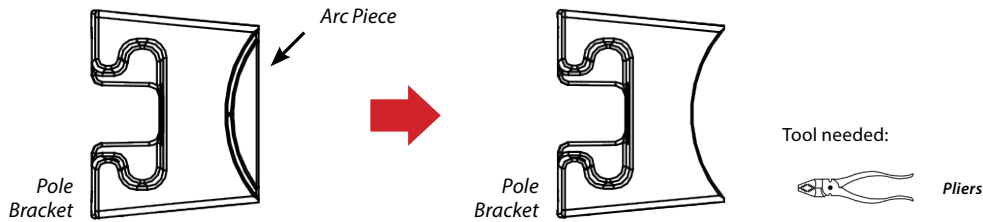
INSTALLATION INSTRUCTION GUIDE

2B

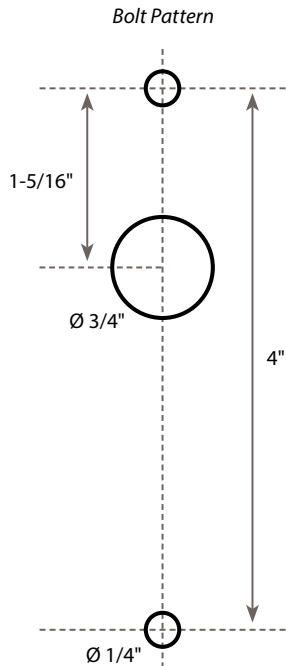
STEP 2: OPTION 2 - Mount to 4" OD Round Pole

Gently use pliers to gently remove the arc piece on the pole bracket. If there are no existing holes or holes do not match, drill holes according to the bolt pattern. Attach mounting plate and the pole bracket onto the round pole with the two (2) A2 bolts to secure. Torque bolts at 8.3 Nm (6.2 ft-lbs).

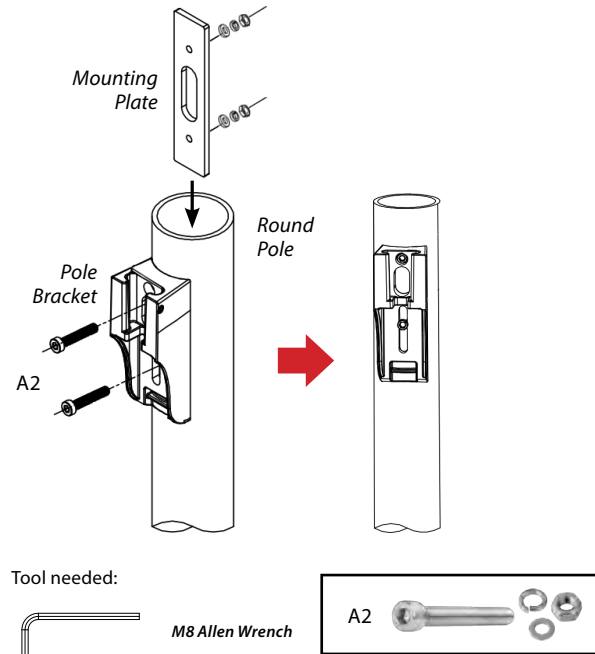
1



2



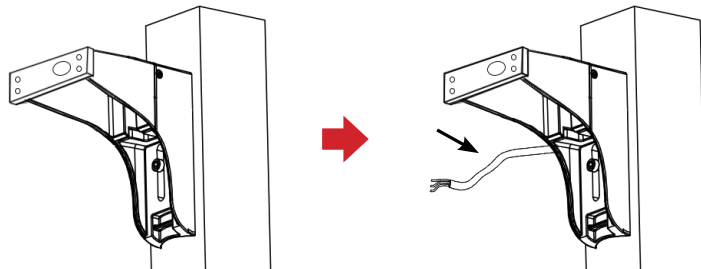
3



3

STEP 3

Pull the wires from the pole through the bracket.



TYPE D Mounting Bracket: Fits 4"-6" Square Pole & 4" OD Round Pole

LED AREA LIGHTING

INSTALLATION INSTRUCTION GUIDE

4

STEP 4

Pull the wires through the luminaire bracket. Attach the luminaire bracket to the light fixture. Secure by tightening the four (4) A1 bolts, torque of 8.3 Nm (6.2 ft-lbs).

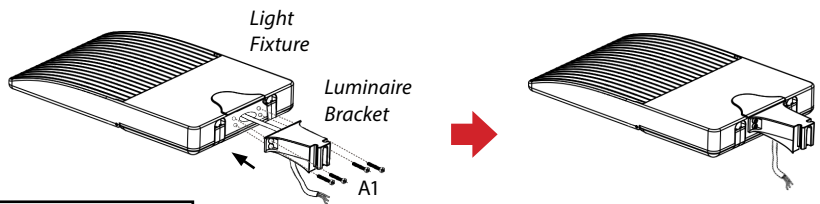
Tool needed:



M8 Allen Wrench



A1



5

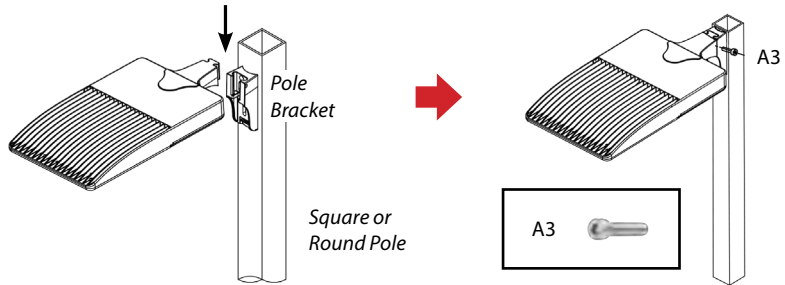
STEP 5

Slide the luminaire bracket onto the pole bracket and secure with the one (1) A3 bolt.

Tool needed:



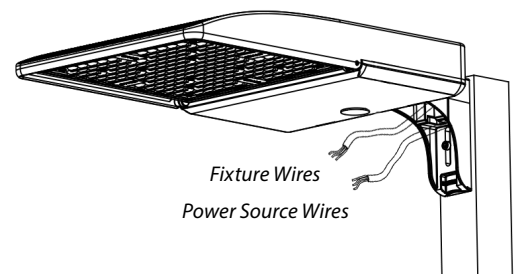
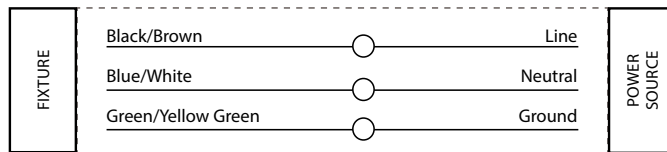
M8 Allen Wrench



6

STEP 6

▲ To avoid possibility of electric shock, turn off power before installation. Connect the luminaire wires with the power source wires.



7

STEP 7

Reattach the latch cover to finish the installation.

