

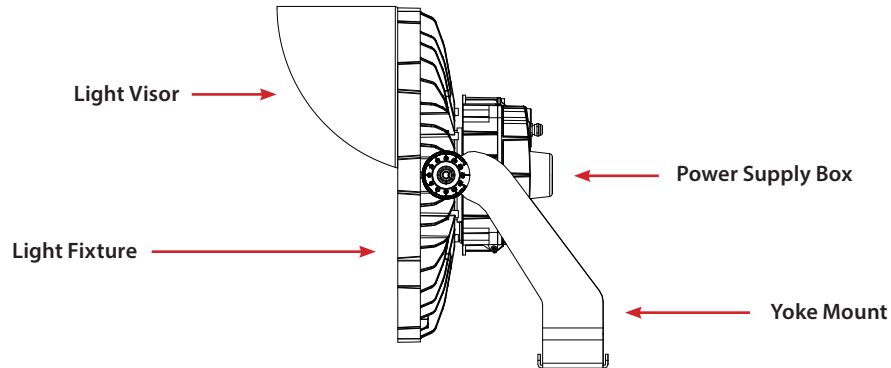
# Yoke Mount OFS Series LED SPORTS LIGHT

## INSTALLATION INSTRUCTION GUIDE

### ⚠ IMPORTANT SAFEGUARDS ⚠

Read these instructions completely and carefully before proceeding with installation or service maintenance of this product:

- To avoid the possibility of electric shock, turn off power before installation/servicing.
- Installation/maintenance service should be performed by two (2) qualified electricians.
- Before closing cover of fixture, make sure all wires are inside fixture housing to avoid pinching wires.
- Fixture must be installed in accordance with NEC or local electrical codes by qualified technician.
- For protection, technician should always wear protective goggles and gloves during the installation and maintenance.
- SolarMax LED is not responsible for any damages caused by parts/components that are not supplied by SolarMax LED.



### Included Items in Box

Items included may vary based on your order

#### Fixture & Bracket Parts



(1 PC) Light Fixture with Yoke Mount



**B1**  
(2 PC) M10\*4" Hex Bolts  
(4 PC) Washers and (2 PC) Nuts



**B3**  
(1 PC) M20\*4" Hex Bolt  
(2 PC) Washers and (1 PC) Nut



**B2**  
(2 PC) M10\*6" Hex Bolts  
(4 PC) Washers and (2 PC) Nuts



**B4**  
(1 PC) M20\*6" Hex Bolt  
(2 PC) Washers and (1 PC) Nut

#### Light Visor



(1 PC) Visor



**A1**  
(4 PC) M5\*15mm Hex Socket  
(4 PC) Springs and Washers

#### Safety Strap



(1 PC) Safety Strap

Due to the size and weight of the fixture, we recommend having two technicians to assemble and install any fixtures. Perform Steps 1-3 (if applicable) on the ground, before moving up the pole to install the fixtures.

# Yoke Mount OFS Series LED SPORTS LIGHT

## INSTALLATION INSTRUCTION GUIDE

1

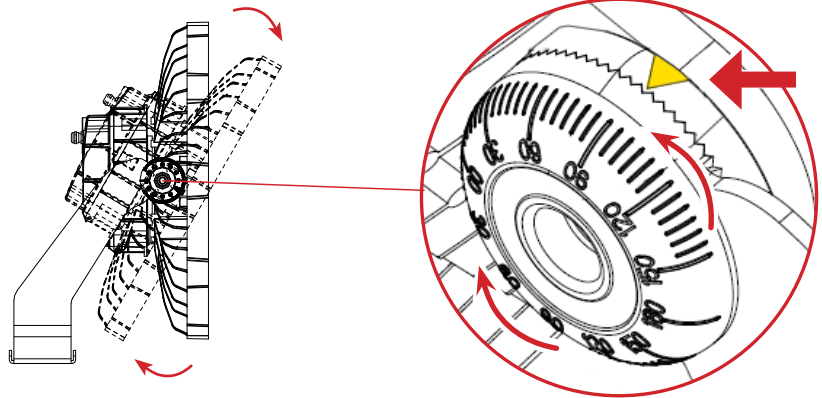
### STEP 1

To find the desired tilting angle per fixture, reference the photometrics design if available. To tilt the fixture, loosen the two (2) M12\*40mm hex sockets and align the indicator arrow to desired tilting degree. Re-tighten the hex sockets at 16 Nm. Then, label the fixture for installation reference.

Tool needed:

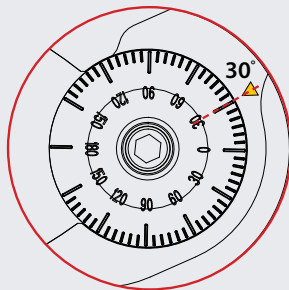
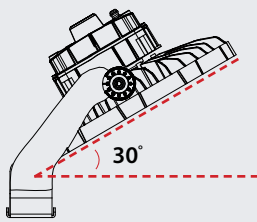


M12 Allen Wrench

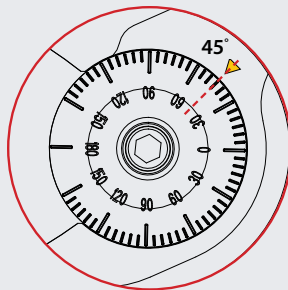
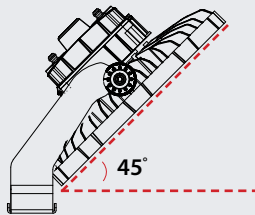


### EXAMPLES

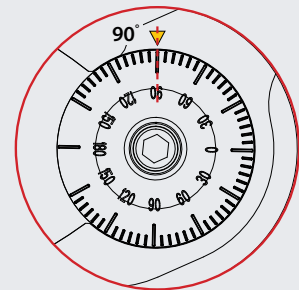
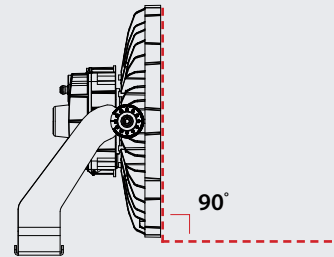
These are only examples. Please refer to photometrics for individual luminaires' tilting angles.



If tilting on photometric shows "30°", fix the yellow arrow to 30° tilting angle.



If tilting on photometric shows "45°", fix the yellow arrow to 45° tilting angle.



If tilting on photometric shows "90°", fix the yellow arrow to 90° tilting angle.

2

### OPTIONAL STEP 2

To install the visor onto the light fixture, use a screwdriver or screw gun to secure the four (4) A1 parts, torque at 2.4 Nm.

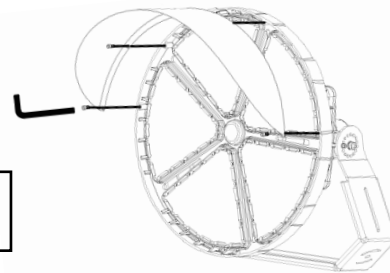
Tool needed:



M5 Allen Wrench



A1



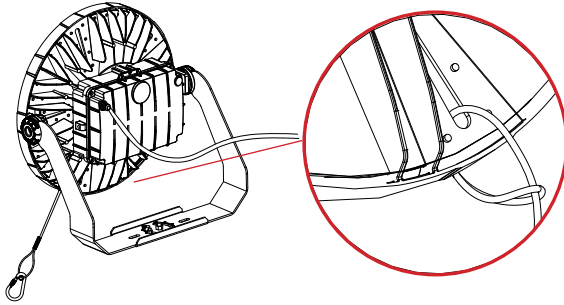
# Yoke Mount OFS Series LED SPORTS LIGHT

## INSTALLATION INSTRUCTION GUIDE

3

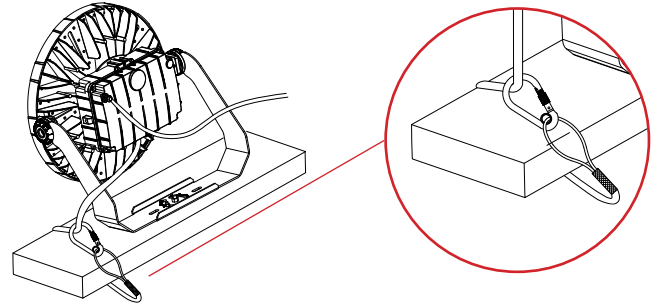
### STEP 3A

Install the safety strap to the light fixture to later secure the light fixture to the cross arm.



### STEP 3B

Once on pole ready for light install or maintenance, install the safety strap to secure the light fixture to the cross arm.

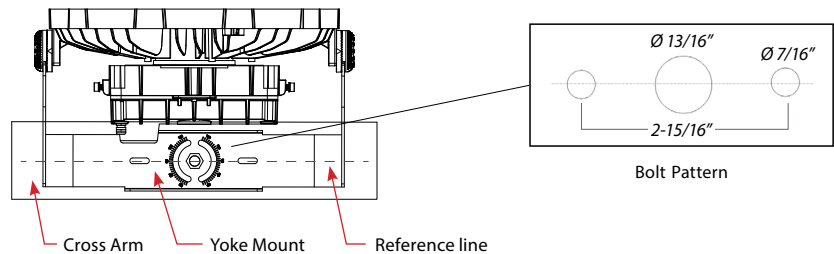


4

### STEP 4A

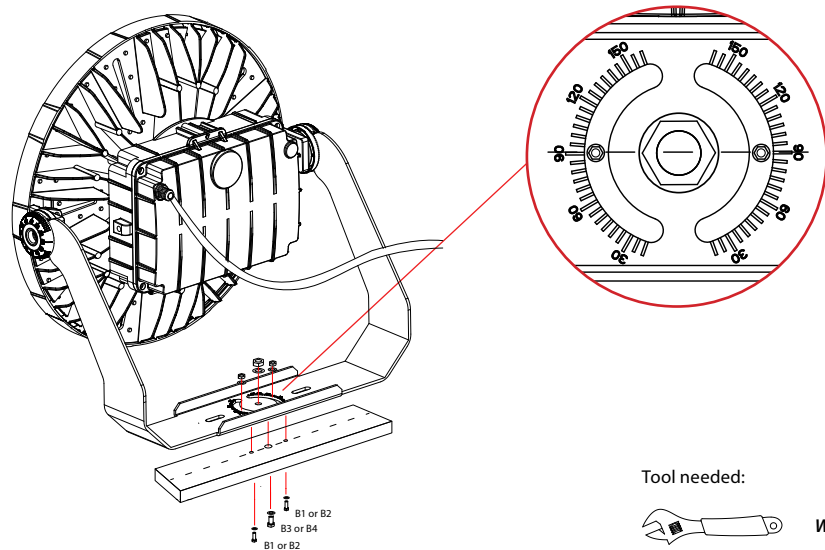
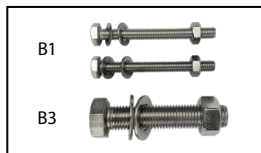
Mark a line or use tape as a reference line in the center of the cross arm, as shown below. Place the yoke mount bracket, aligning the center of the bracket with the reference line. Use bolt pattern, shown to right, to drill holes through the cross arm.

Tool needed:



### STEP 4B

Use provided B1 & B3 or B2 & B4 parts based on the cross arm thickness. Install the luminaire on the cross arm, and lightly tighten.



Tool needed:



# Yoke Mount OFS Series LED SPORTS LIGHT

## INSTALLATION INSTRUCTION GUIDE

5

### STEP 5

Orient the fixture to desired angle (with reference to photometrics design if available).  
Tighten all B parts used at a torque of 16 Nm.

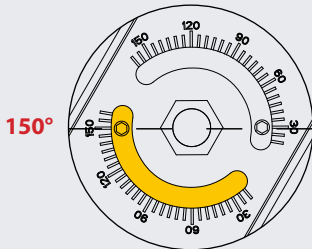
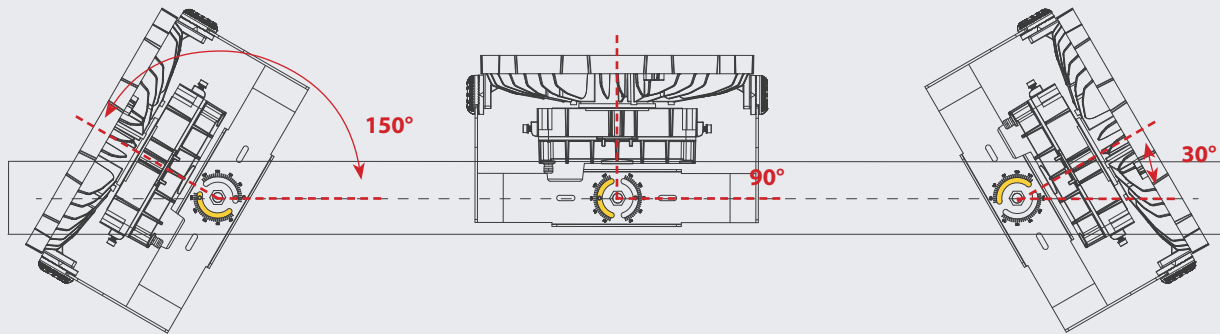
Tool needed:



Wrench

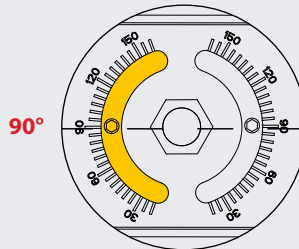
### EXAMPLES

These are only examples. Please refer to photometrics for individual luminaires' orientation angles.



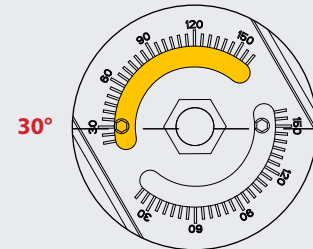
150°

If orient on photometric shows "150°",  
fix bolt at 150° on plate.



90°

If orient on photometric shows "90°",  
fix bolt at 90° on plate.



30°

If orient on photometric shows "30°",  
fix bolt at 30° on plate.

6

### STEP 6

▲ To avoid possibility of electric shock, turn off power before installation. Connect luminaire wires with power source.

